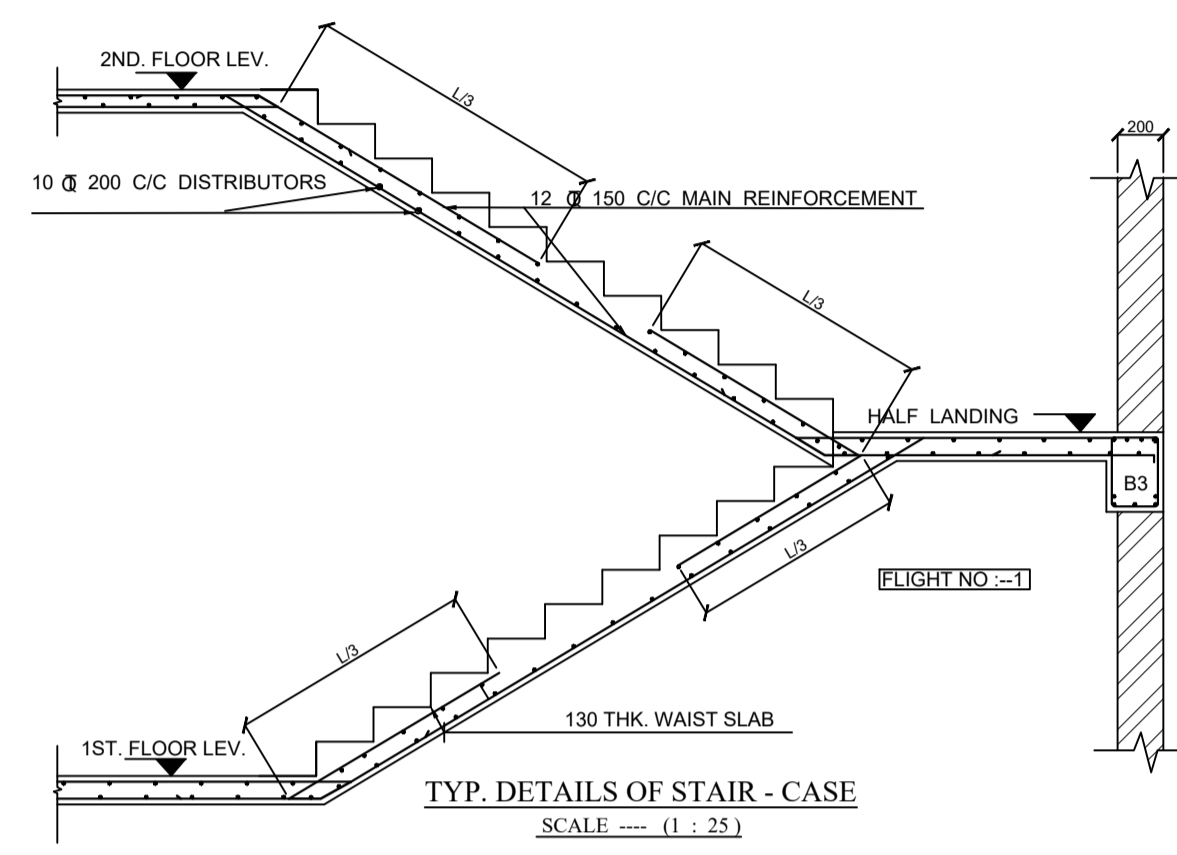
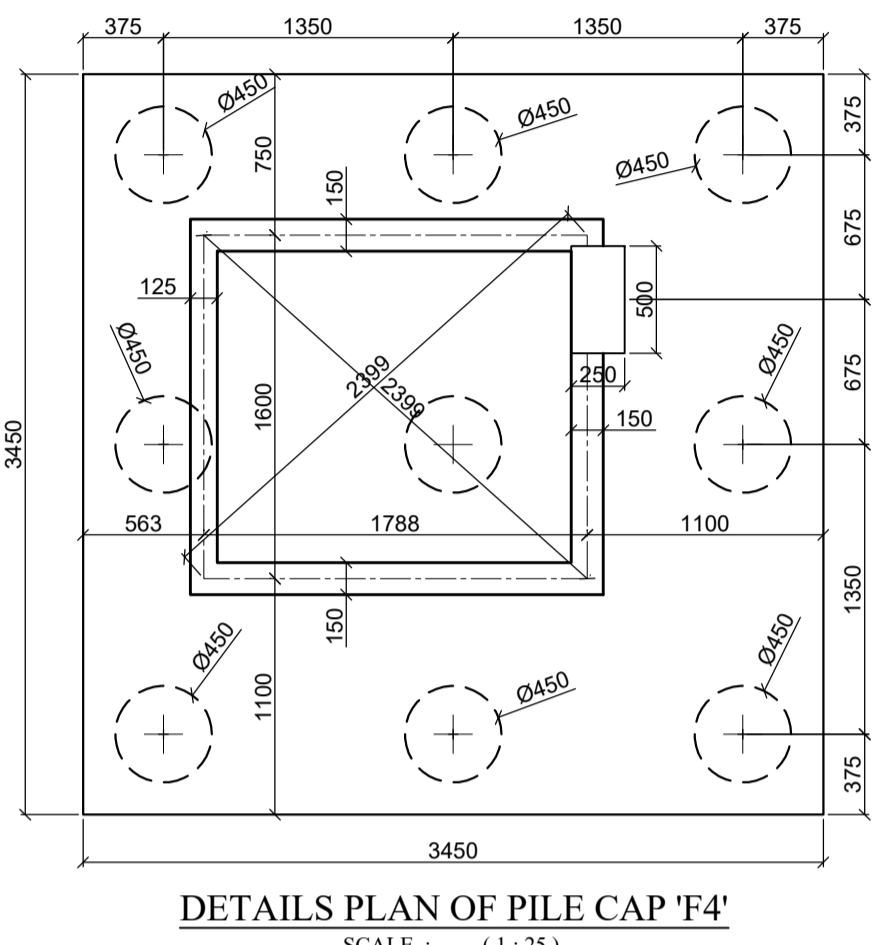
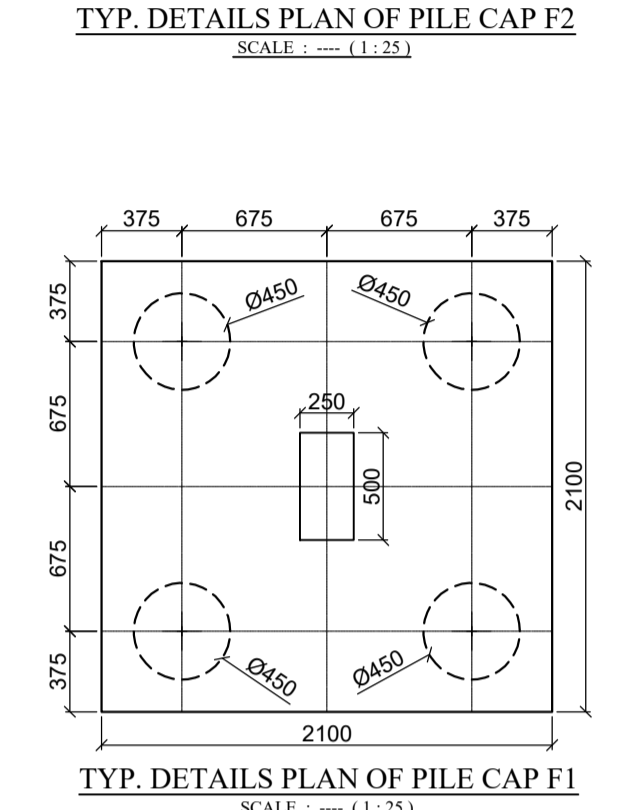
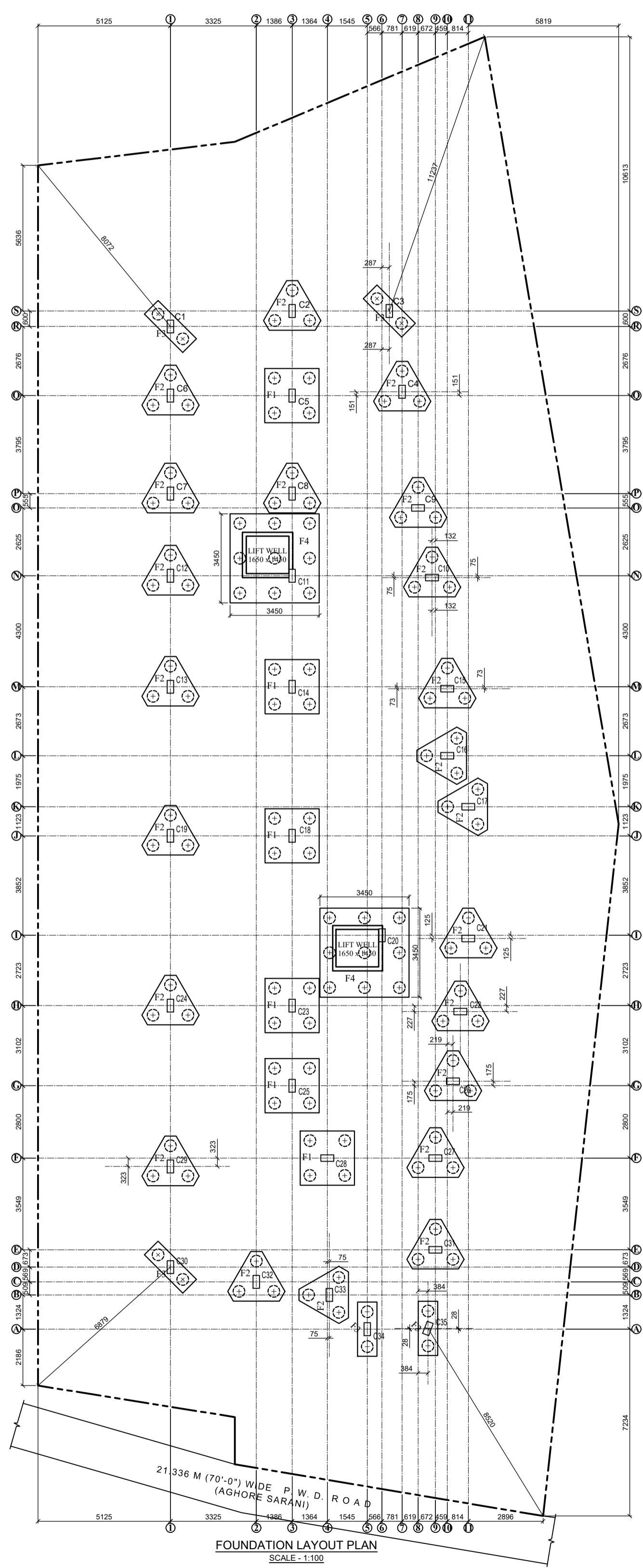


SCHEDULE OF FOUNDATION :-

MKD	COL. MKD	SIZE	PILE GR.	PILE THICK. DIA.	PILE CAP REINFORCEMENTS	REMARKS	FACE BARS	PILE REINFORCEMENTS
F1	C5,C14,C18,C23,C25,C28	2100 X 2100	4 PILE GR.	450 Ø	700mm	16 Ø @ 150C/C ALONG BOTH DIRECTIONS AT TOP & BOTTOM	CUT-OFF = 1.50 M PILE LENGTH = 16.5 M PILE DEPTH = 18.0 M	12 Ø - 3 NOS ALONG VERTICAL DIRECTION EQ. SPACED EACH FACES
F2	C2,C4,C6,C7,C8,C9,C10,C12,C13,C15,C16,C17,C18,C21,C22,C24,C26,C27,C28,C31,C32,C33	AS SHOWN IN DWG.	3 PILE GR.	450 Ø	700mm	16 Ø @ 150C/C ALONG BOTH DIRECTIONS AT TOP & BOTTOM	CUT-OFF = 1.50 M PILE LENGTH = 16.5 M PILE DEPTH = 18.0 M	12 Ø - 3 NOS ALONG VERTICAL DIRECTION EQ. SPACED EACH FACES
F3	C1,C3,C30,C34,C35	2100 X 750	2 PILE GR.	450 Ø	700mm	16 Ø @ 150C/C ALONG BOTH DIRECTIONS AT TOP & BOTTOM	CUT-OFF = 1.50 M PILE LENGTH = 16.5 M PILE DEPTH = 18.0 M	12 Ø - 3 NOS ALONG VERTICAL DIRECTION EQ. SPACED EACH FACES
F4	C11-LIFT, C20-LIFT	3450X3450	9 PILE GR.	450 Ø	700mm	16 Ø @ 150C/C ALONG BOTH DIRECTIONS AT TOP & BOTTOM	CUT-OFF = 1.50 M PILE LENGTH = 16.5 M PILE DEPTH = 18.0 M	12 Ø - 3 NOS ALONG VERTICAL DIRECTION EQ. SPACED EACH FACES

SCHEDULE OF R.C.C. COLUMN :-

GR. MKD	COLUMN MARKED	REINFORCEMENT	REMARKS
GR-1	C5,C8,C11,C14,C18,C23,C30,C34	UPTO 2ND FLOOR: 16-18 T @ 110 C/C @ 200 C/C 2ND TO 6TH FLOOR: 13-18 T + 6-12 T @ 110 C/C @ 200 C/C BEYOND THAT: 16-12 T @ 110 C/C @ 200 C/C	
GR-4	C2,C4,C6,C7,C8,C9,C10,C12,C13,C15,C16,C17,C18,C20,C21,C22,C24,C26,C27,C28,C31,C32,C33	UPTO 2ND FLOOR: 14-18 T @ 110 C/C @ 200 C/C 2ND TO 6TH FLOOR: 16-18 T + 6-12 T @ 110 C/C @ 200 C/C BEYOND THAT: 14-12 T @ 110 C/C @ 200 C/C	
GR-4	C1,C3,C30,C34,C35	UPTO 2ND FLOOR: 16-18 T @ 110 C/C @ 200 C/C 2ND TO 6TH FLOOR: 6-16 T + 6-12 T @ 110 C/C @ 200 C/C BEYOND THAT: 16-12 T @ 110 C/C @ 200 C/C	



SCHEDULE OF SLABS :-

SLAB MKD	THICKNESS	REINFORCEMENT	REMARKS
S1	125 MM	8 T @ 150 C/C BOTHWAYS AT BOTTOM 8 T @ 150 C/C EXTRA TOP OVER SUPPORT 8 T @ 200 C/C FOR BINDER	
S2	140 MM	8 T @ 150 C/C BOTHWAYS AT TOP & BOTTOM	

SCHEDULE OF STAIR - CASE :-

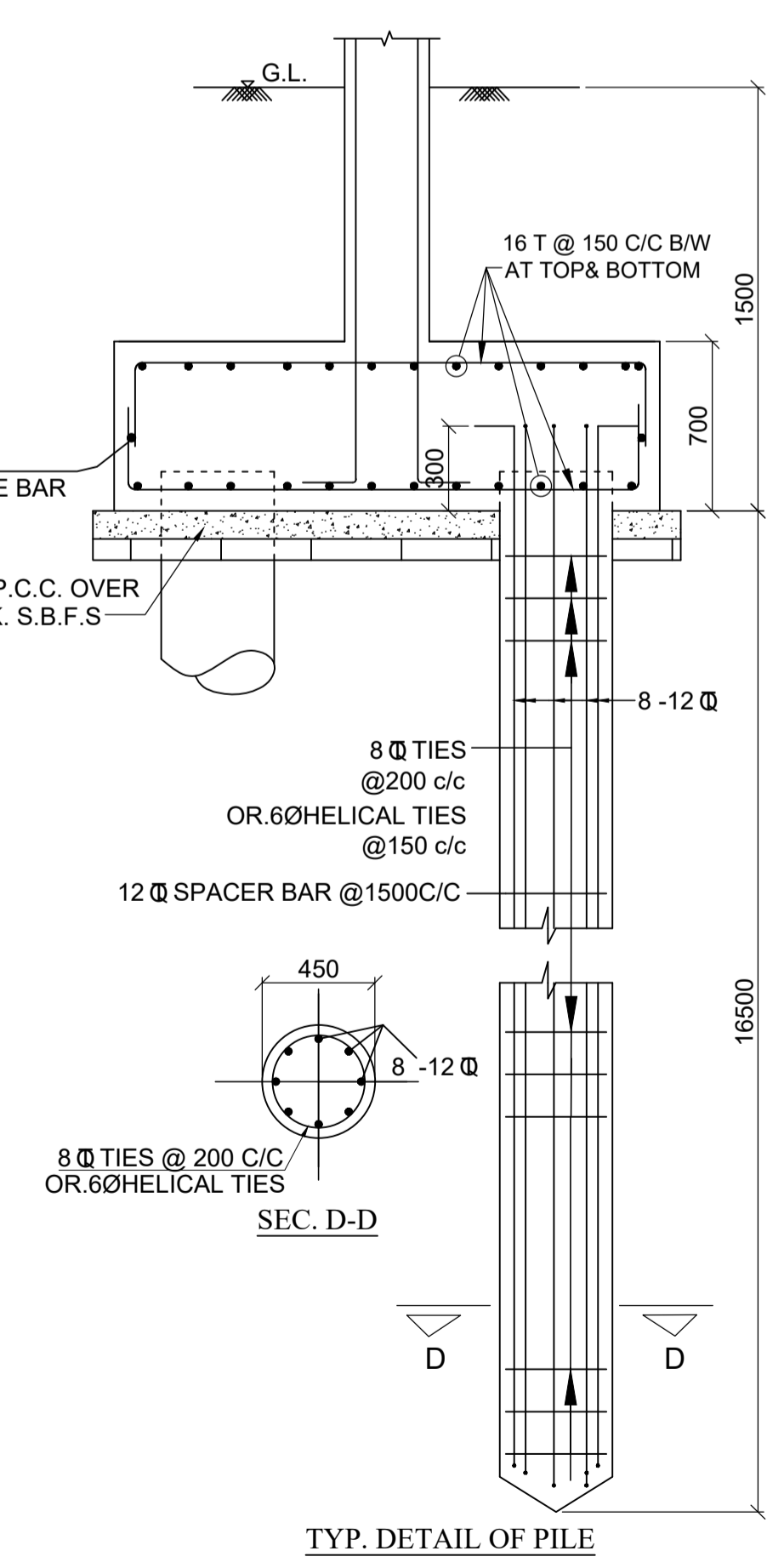
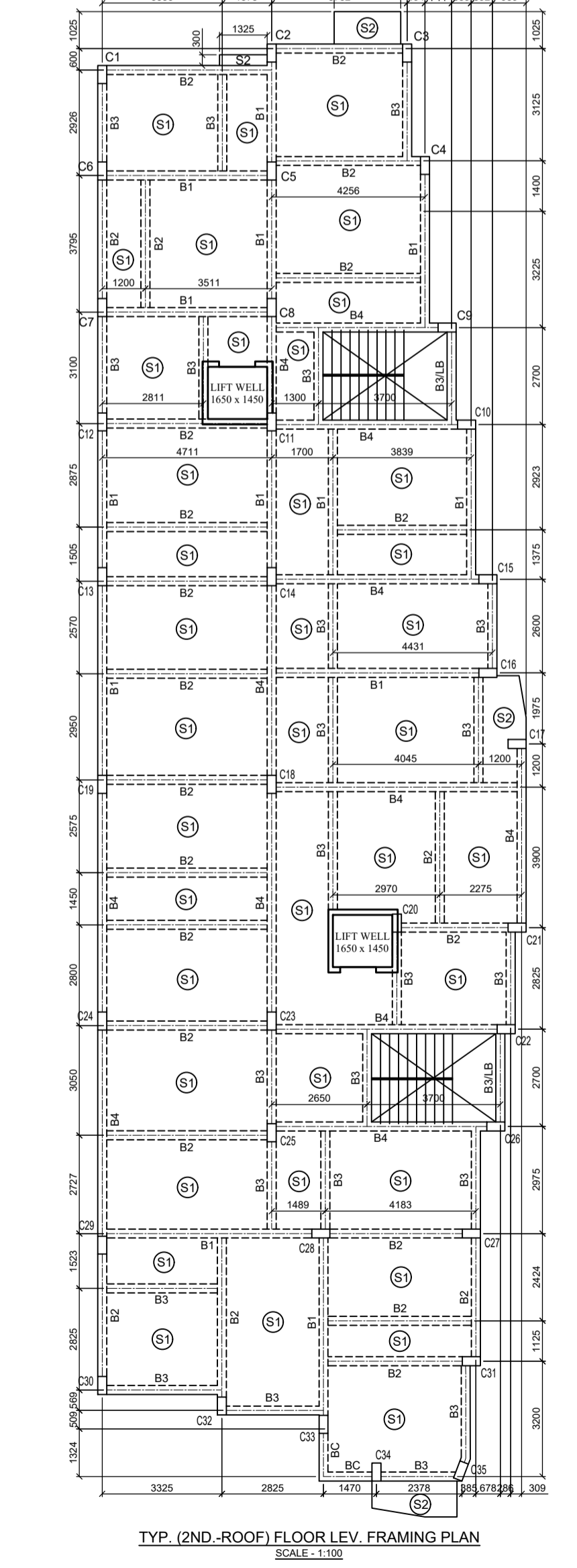
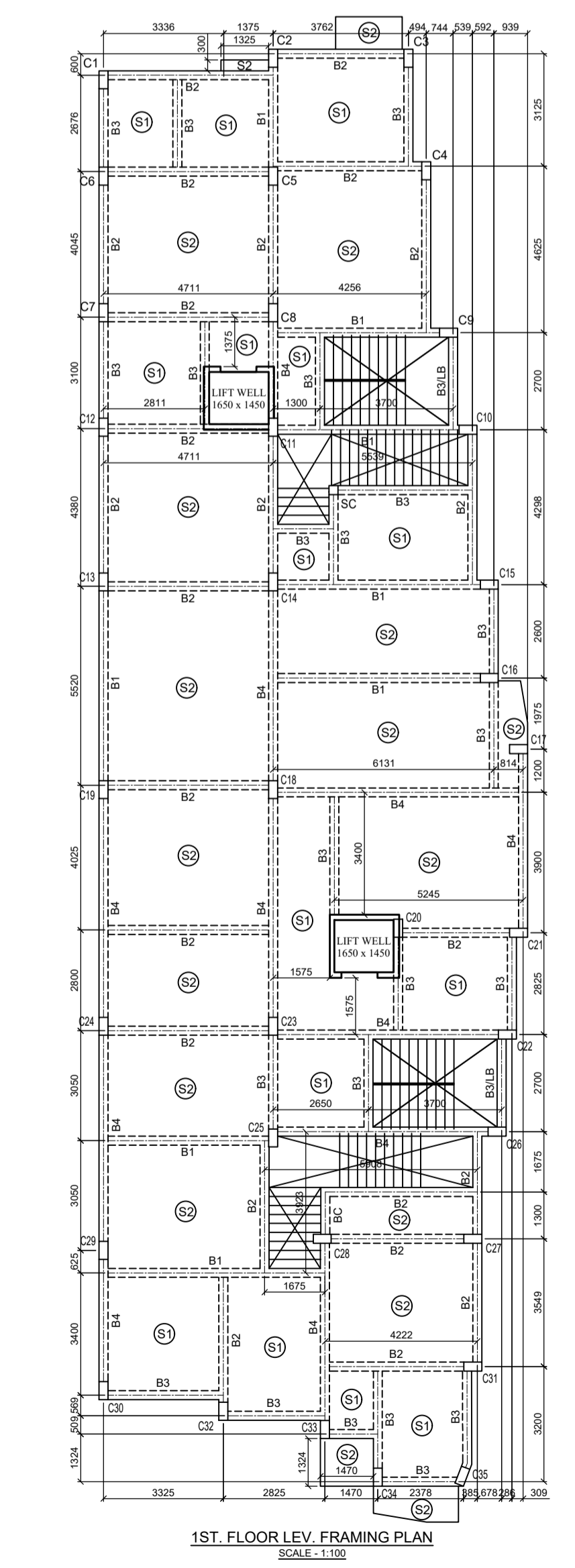
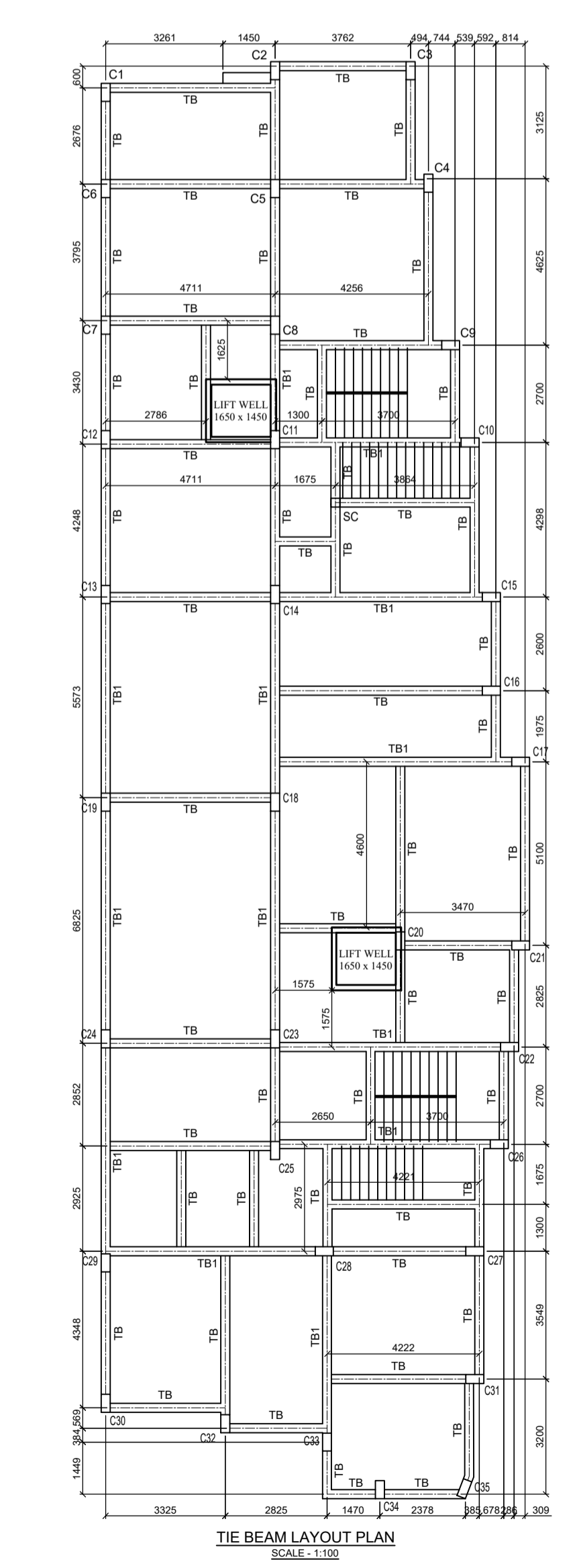
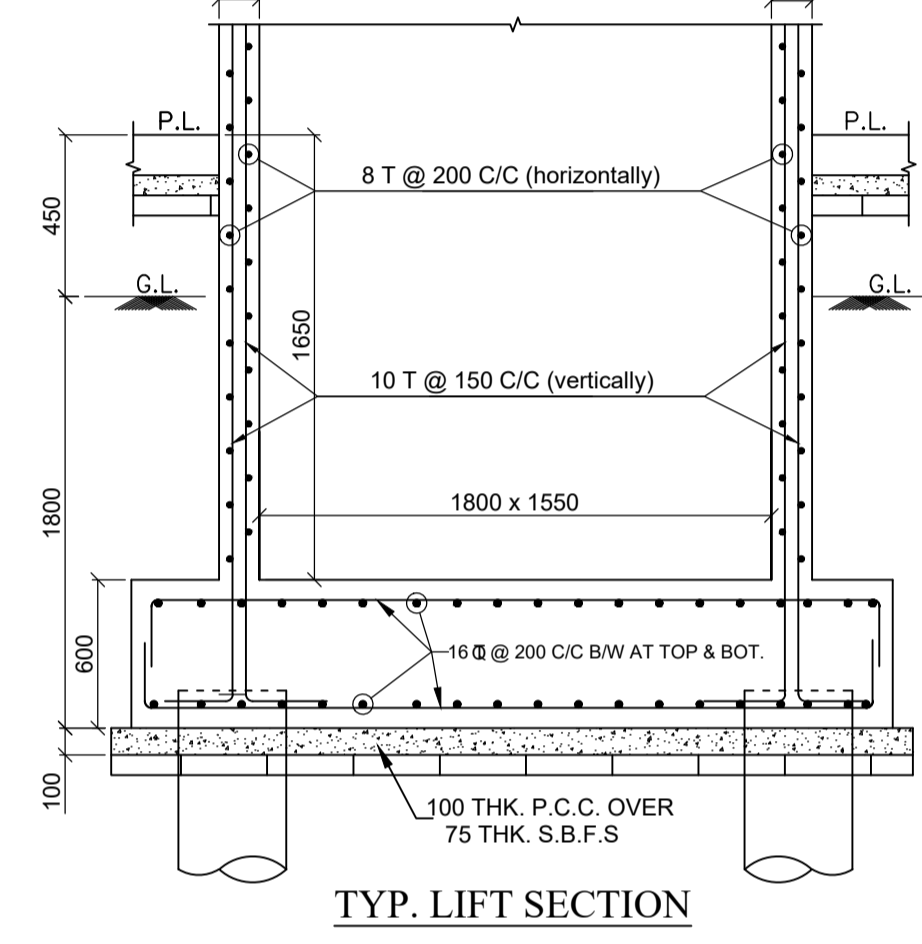
SLAB	THICK	REINFORCEMENT	REMARKS
130 THK WAIST SLAB		12 T @ 150 C/C MAIN REINFORCEMENT 10 T @ 200 C/C DISTRIBUTORS	

SCHEDULE OF LIFT WALL :-

WALL THICKNESS	REINFORCEMENT	REMARKS
150 mm & 125 mm	10 T @ 150 C/C B/W BOTH FACE ALONG VERTICAL DIRECTION 8 T @ 200 C/C B/W BOTH FACE ALONG HORIZONTAL DIRECTION	

SCHEDULE OF BEAM :-

BEAM MKD	SIZE	REINFORCEMENT	REMARKS
B1	250 X 400	3-16 Ø + 2-16 Ø E.T. (C.P.)	5-16 Ø TOP 3-16 Ø BOTTOM 8 Ø 2L STIRRUPS @ 150 C/C
B2	250 X 300	2-16 Ø + 2-16 Ø E.T. (C.P.)	3-16 Ø TOP 2-16 Ø BOTTOM 8 Ø 2L STIRRUPS @ 200 C/C
B3	250 X 350	2-12 Ø + 2-16 Ø E.T. (C.P.)	3-12 Ø TOP 2-12 Ø BOTTOM 8 Ø 2L STIRRUPS @ 200 C/C
B4	250 X 450	3-16 Ø + 3-16 Ø E.T. (C.P.)	8-16 Ø TOP 3-16 Ø BOTTOM 8 Ø 2L STIRRUPS @ 150 C/C
CB	250 X 140	4-16 Ø	4-16 Ø TOP 4-16 Ø BOTTOM 8 Ø 2L STIRRUPS @ 50 C/C
TB	250 X 350	2-16 Ø + 2-16 Ø E.T. (C.P.)	3-16 Ø TOP 2-16 Ø BOTTOM 8 Ø 2L STIRRUPS @ 200 C/C
TB1	250 X 400	2-16 Ø + 2-16 Ø E.T. (C.P.)	4-16 Ø TOP 2-16 Ø BOTTOM 8 Ø 2L STIRRUPS @ 150 C/C



STRUCTURAL CERTIFICATE

I WE DO HEREBY CERTIFY THAT THE FOUNDATION AND SUPER STRUCTURE OF THE BUILDING PROPOSED FOR CONSTRUCTION AT HOLDING 30,DAS PARA ROAD, WARD NO. 26, UNDER THE JURISDICTION OF RAJPUR SONARPUR HAVE BEEN PERSONALLY INSPECTED AND SO DESIGN BY ME/US WILL MAKE SUCH FOUNDATION AND SUPERSTRUCTURE SAFE IN ALL RESPECT INCLUDING THE CONSIDERATION OF BEARING CAPACITY AND SETTLEMENT OF SOIL AND OTHER CONDITIONS. IF ANY, CONFIRMING TO ALL STIPULATIONS OF ALL RELEVANT IS CODE OF PRACTICE AND NATIONAL BUILDING CODE.

Dr. ANJAN KUMAR DUTTA
Empanelled Structural Engineer
Rajpur-Sonarpur Municipality
104/RJPSONESE/2016-17

SIGNATURE OF STRUCTURAL ENGINEER

I WE DO HEREBY CERTIFY THAT THE FOUNDATION AND SUPER STRUCTURE OF THE BUILDING PROPOSED FOR CONSTRUCTION AT HOLDING 30,DAS PARA ROAD, WARD NO. 26, UNDER THE JURISDICTION OF RAJPUR SONARPUR HAVE BEEN PERSONALLY INSPECTED AND SO DESIGN BY ME/US WILL MAKE SUCH FOUNDATION AND SUPERSTRUCTURE SAFE IN ALL RESPECT INCLUDING THE CONSIDERATION OF BEARING CAPACITY AND SETTLEMENT OF SOIL AND OTHER CONDITIONS. IF ANY, CONFIRMING TO ALL STIPULATIONS OF ALL RELEVANT IS CODE OF PRACTICE AND NATIONAL BUILDING CODE.

RUPAK KUMAR BANERJEE
B.E., M.E., M.S.S., M.A.E.,
G.T./RJK/M.C.I., BM/S&E-TECH/002
DHRUP SONAR 12014-15, GTER-HDC/09/00014
E.O.T.E./11/4 (H/M.C.I.)
GEOWESSID/2010/0002

NAME OF GEOTECHNICAL ENGINEER

DECLARATION OF E.B.A.

I WE DO HEREBY CERTIFY THAT PLANS, ELEVATIONS AND SECTIONS OF THE BUILDING DETAILS OF THE PROPOSED BUILDINGS ON HOLDING NUMBER 30 DAS PARA ROAD, WARD NO. 26, UNDER THE JURISDICTION OF RAJPUR SONARPUR MUNICIPALITY HAVE BEEN PREPARED IN CONFORMING WITH ALL RELEVANT PROVISIONS UNDER THE WEST BENGAL MUNICIPAL (BUILDING) RULES 2007. THIS ALSO TO CERTIFY THAT RELEVANT NO OBJECTION CERTIFICATES FROM THE RESPECTIVE AUTHORITIES SUCH AS, FIRE AND EMERGENCY SERVICE DEPARTMENT, AIRPORT AUTHORITY, POLLUTION CONTROL BOARD, TELECOMMUNICATION DEPARTMENT ETC. AS APPLICABLE IN THIS REGARD. ARE ALSO ENCLOSED WITH THE APPLICATIONS FOR SEEKING APPROVAL OF THE PLAN TO CONSTRUCT/RECONSTRUCT/ADDITION TO ALTERATION OF THE BUILDING ON THE SAID HOLDING.

AR. SARBANI MAJUMDAR
COUNCIL OF ARCHITECTURE
Regd. No. - CA/92/15458
RSM EBA No. - 055
NAME OF E.B.A.

MIS ARADHYA ENTERPRISE
DIRECTOR - MR. BIPLAB DEY & MRS. BASANTI DEY
AS CONSTITUTED ATTORNEY OF
I) BIVARANI NASKAR
II) PRADIP NASKAR
III) ASOK NASKAR
IV) DILIP NASKAR
V) UTTAM NASKAR
VI) LIPIKA MAHAJAN

NAME OF OWNERS

- NOTES :-**
- ALL DIMENSIONS AND LEVELS ARE IN MM UNLESS OTHERWISE STATED
 - (± 00) LEVEL CORRESPONDS TO FINISHED GROUND LEVEL AND ROAD CROWN LEVEL
 - LAP LENGTH / DEVELOPMENT LENGTH / BOND LENGTH OF REINF. SHALL BE 50 * (dia OF REINFORCEMENT) (LARGER IF ANY)
 - CLEAR COVER TO MAIN REINF. SHALL BE AS FOLLOWS - (1) for slab 20 mm (bottom) & 20mm (top) (2) for beams 25 mm, (3) for columns 40 mm, (4) for foundations 75 mm.
 - ALL STRUCTURAL CONC. GRADE SHALL BE M-25 (1:1.2:2) BY VOLUME UNLESS OTHERWISE STATED
 - REINFORCEMENT SHALL BE OF Fe-500 GRADE CONFORMING TO B.I.S. 1786 WITH UP TO DATE AMENDMENT.
 - READ THIS DRAWING IN CONNECTION WITH THE ARCHITECTURAL DRAWING.
 - FOR ANY DISCREPANCY CONCERNED, OUR SITE ENGINEER SHALL BE CONSULTED WITH.
 - COLUMN LINKS SHALL BE PLACED CONTINUOUS THROUGH BEAM-COLUMN JUNCTION BUT STIRRUPS SHALL BE STARTED FROM THE COLUMN FACE ONLY
 - LEVELS SHOWN ALONG WITH THE SLAB & BEAM MARKINGS DENOTES THE TOP LEVEL OF SLABS & BEAMS.
 - EXTRA TOP BARS OVER SUPPORT FOR BEAMS & SLABS SHOULD BE PROVIDED UP TO (L/3) FROM SUPPORT FACE CONSIDERING (L) AS C/C DISTANCE BETWEEN THE SUPPORTS.
 - RECRON 3S FIBRE MUST BE MIXED WITH M-25 CONCRETE 0.2% BY WEIGHT OF CEMENT
 - THE BEAM MUST BE CAST OVER B.F.S. OVER COMPACTED EARTH.

NO.	DESCRIPTION	DATE	BY	CHKD.	APPD.
02	NEW DRAWING SUBMISSION	14.12.22	K.H.	AKD	AKD
01	NEW DRAWING SUBMISSION	13.11.22	K.H.	AKD	AKD

BUILDING TYPE :- RESIDENTIAL BUILDING
PURPOSE :- SANCTION ONLY
TITLE :- FOUNDATION & TIE BEAM LAYOUT PLAN, FLOOR FRAMING PLAN, DETAIL OF PILE, COLUMN, BEAM, SLAB, LIFT, STAIR, ETC.

SUBJECT :- STRUCTURAL DRAWING
PROJECT :- PROPOSED G+VH STORED RESIDENTIAL BUILDING AT R.S. & L.R. DAG NO.- 257 & 258 (P), R.S. KHATIAN NO.- 3 [NO.]- 4346, 4347, 4348, 4349, 4350 & 4930, MOUZA- SO RE. SA. NO.- 13, TAUKI NO.- 109, P.S. & B. DIST. - BAKSHI 24 PARAGANA, UNDER 'R' SONARPUR MUNICIPALITY, WARD NO. 26

